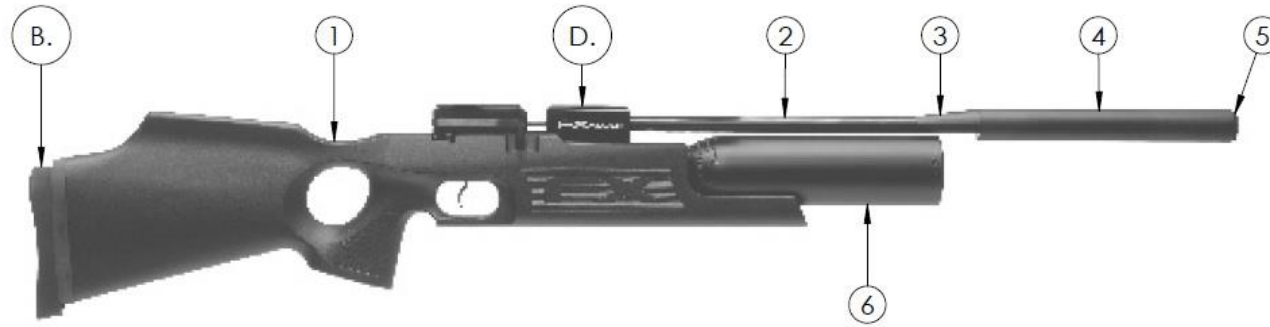
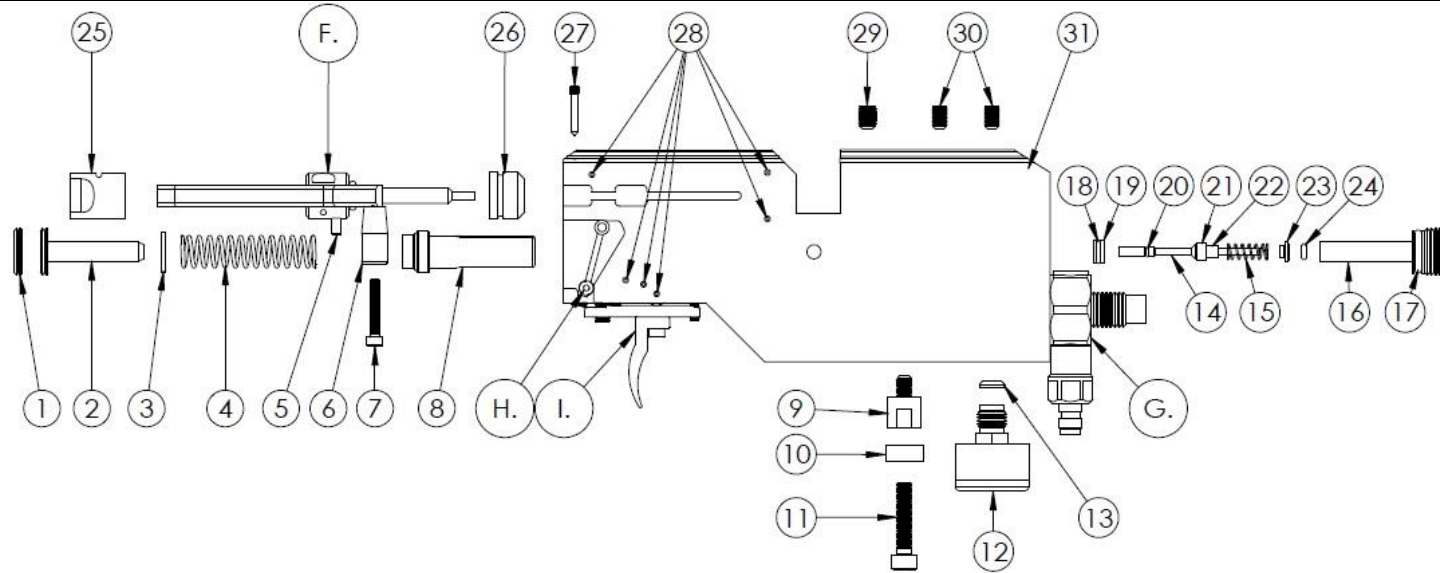


Model	Description	Article No.	Date	Revision	Revision date
FX Royale 400 (R4) – 500 (R5)	Repair kit Royale 400, 500	9007	2020-05-04	EN.	-

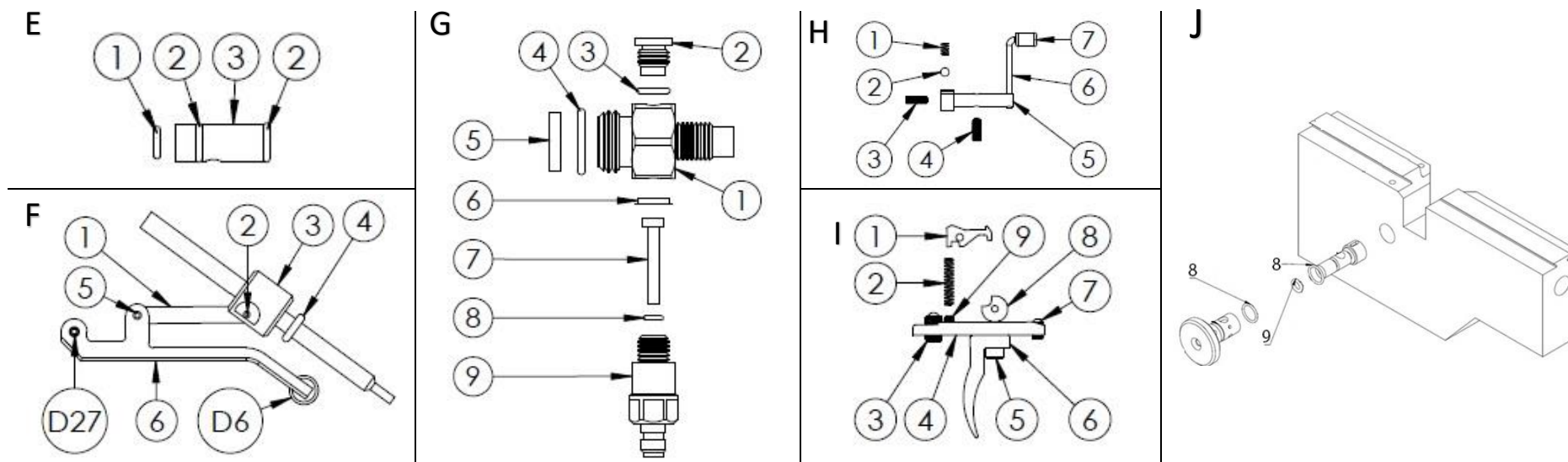
A



D
F
G
H
I



Model	Description	Article No.	Date	Revision	Revision date
FX Royale 400 (R4) – 500 (R5)	Repair kit Royale 400, 500	9007	2020-05-04	EN.	-



Description: X = Not shown in drawing / HP = High-power / LP = Low-power / ST = Smoothtwist / LW = Lothar Walther / W =Walnut / S = Synthetic

NO	ART. NO	DESCRIPTION	NO	ART. NO	DESCRIPTION
D9 – X	5112	O-ring 5,28x1,78 NBR70	E1 – 4,5	2529	O-ring 4,3x1,5 NBR70
D13	5005	Plastic Washer 2mm 1/8"	E1 – 5,5	5108	O-ring 5,28x1,78 PUR70
D14	7015	Valve pin V7 complete	E2	5112	O-ring 5,28x1,78 NBR70
D14	7015	Valvepin Complete	F4	1504	O-ring 4,42x2,62 NBR70
D17	5105	O-ring 9,3x2,4 NBR90 (one o-ring located in the Air Bottle)	G4	19088	O-ring 15,88x2,62 NBR90
D18	7044	Valve seat Complete	G8	5107	O-ring 2,9x1,78 PUR90
D24 HP	5111	O-ring 2,5x1,5 NBR90	J8	19117	O-ring 8x1 NBR 70
D25	19029	Rear pellet probe guide	J9	19109	O-ring 4x1,5 NBR 70
	5101	O-ring 20,0x2,5 NBR70 (located in the Air Tube)		5103	O-ring 18,0x2,5 NBR90 (Located in the Air Bottle)