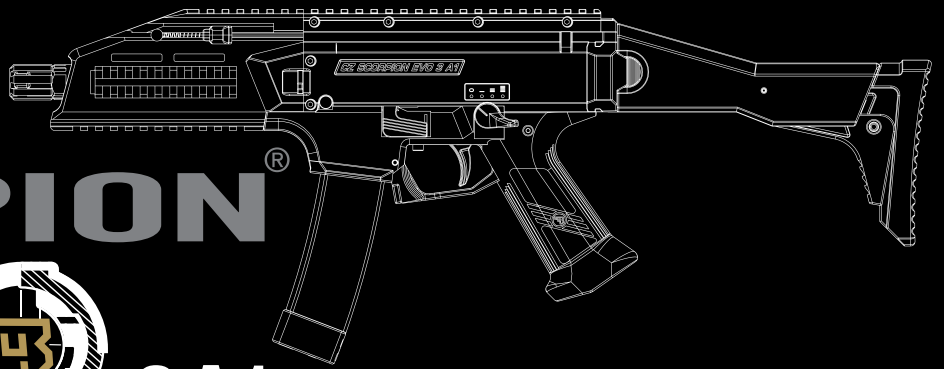


SCORPION

CZ

EVO

3A1



Licensed 6mm
Airsoft
guns

The AEG they thought was impossible



The fully licensed CZ Scorpion EVO 3 A1 by ActionSportGames is designed and developed from the ground up to be the next evolution of the Proline AEG. Our flagship Airsoft gun delivers uncompromising build quality and innovative design into the hands of the player.

The unique ECU (Electronic Control Unit) gives the EVO 3 A1 a crisp response with every pull of the trigger, and it actively monitors the health and functionality of the gearbox during use.

The gearbox components of the EVO 3 A1 are standard Version 2 spec., which allows for further upgrades from our ULTIMATE series of internal parts.

Designed and developed in Denmark, Europe by seasoned Airsoft players and technicians, the EVO 3 A1 from ActionSportGames is built from the ground up to fit any playing style under the toughest conditions.



Discover more about the
CZ Scorpion EVO 3 A1 online:
www.actionsportgames.com
www.actionsportgames.com/evo3a1
#evo3a1 #teamasg #actionsportgames

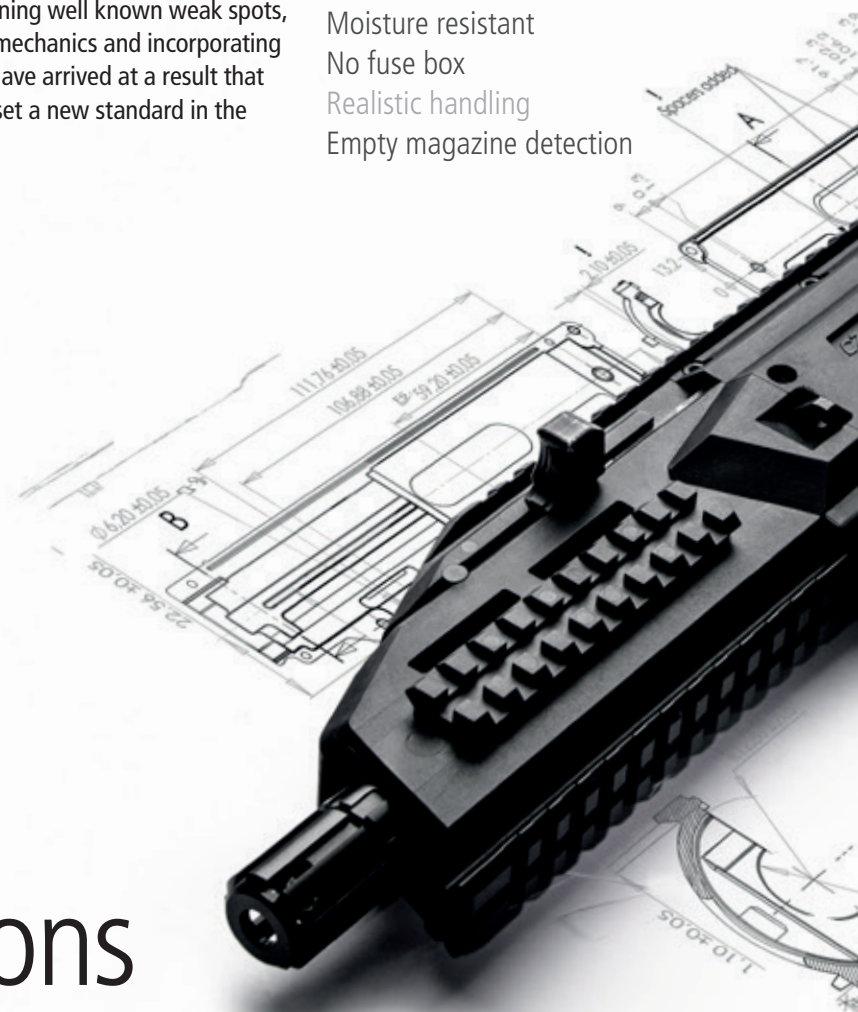
It's in the details

- CNC machined outer barrel
- Integrated standard size rails
- Innovative construction
- Super lightweight and compact design
- Glass fiber reinforced polymer
- Strong magazine
- 4-position fire selector with 3-shot burst
- Secure motor attachment
- CNC made flash hider and barrel nut
- Easy velocity change
- Industry-standard 8mm bushings
- Removable folding stock
- Reduced BB spill
- Removable flash-hider
- Precision inner barrel
- LiPo born ECU
- ULTIMATE motor
- Optimal power transfer

When we at ASG set about to develop and build the EVO 3 A1 we recognized the opportunity to redesign the heart of any AEG, the gearbox. Our goal was to make it as near-to indestructible as possible, while still being affordable, easy to maintain and upgrade.

By strengthening well known weak spots, simplifying the mechanics and incorporating electronics we have arrived at a result that we believe will set a new standard in the Airsoft industry.

- New designed gearbox
- Designed for strength
- MIM steel gears
- CNC processed gearbox
- Quality wiring
- Intelligent design solutions
- Larger support surface
- Upgradable with industry standard parts
- ECU controlled gearbox
- Crisp trigger response
- Easy service and maintenance
- Failure-detection
- Battery monitoring
- Gearbox as heat-sink
- Moisture resistant
- No fuse box
- Realistic handling
- Empty magazine detection



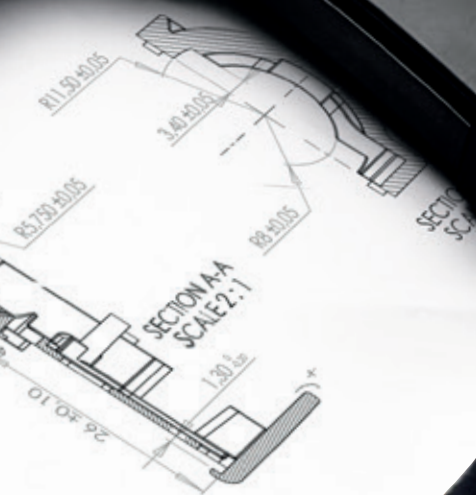
The specifications

	Hop-up	Velocity ms/fps	Energy	Weight (g)	Length (mm)	Length folded (mm)	Barrel (mm)	Mag. capacity
EU version ref. 17831	Adjustable	120 (394)	1,4	2400	623	425	208	75
M95 version ref. 17832	Adjustable	95 (312)	0,9					
US version ref. 50091	Adjustable	120 (394)	1,4					



EXCEPTION EVIDENCE

ASG



DATE	07/09
BY	
CHKD BY	
APPROVED	
REVISIONS	
NO.	DESCRIPTION
1	
2	
3	
4	
5	
6	
7	
8	
9	
10	

Handwritten notes: *JP*, *1/2 inch*, *1/2 inch*

Rugged EVO field case

Rugged field case for the EVO 3 A1. An extremely tough field case with 4 locking clamps, making it both water and dust tight. This lockable plastic field case, features cut-out foam in-lays, that securely holds an EVO 3 A1 and up to 6 magazines along with a compartment for the battery pack. The user can customize the case to hold more equipment.

Ref. 17946



The Accessories



Tactical carry bag

Custom made for the EVO 3 A1, this tactical carry bag features a main compartment with cut-out foam. The foam keeps the EVO 3 A1 tightly in place with extra space for any type of optical sights the player might wish to mount to the gun. The exterior of the bag features 3 mag pockets for a total of 9 magazines, a long pocket that can hold a large BB bottle and a zippered admin pocket with velcro attachment area. The EVO 3 A1 logo is shown in stylish 3 color embroidery.

Ref. 17830



CZ front support set

This is an original accessory supplied to ASG from CZ. The front support set attaches to the lower rail and is designed to prevent the operator's hand from sliding in front of the muzzle.

Ref. 17846



CZ rear iron sight

This is an original accessory supplied to ASG from CZ. This rail mounted rear sight is made by LPA known for making quality aiming devices for the firearms industry. The sight features a ring aperture and is adjustable for elevation and windage. CNC made from Alloy.

Ref. 17861



CZ front iron sight

This is an original accessory supplied to ASG from CZ. This rail mounted front sight is made by LPA known for making quality aiming devices for the firearms industry. The sight features a large white ball sight, which is protected by strong side walls. CNC made from Alloy.

Ref. 17862



CZ flash hider

This is an original accessory supplied to ASG from CZ. This original flash hider is made from steel, intended for the hard core mil-sim player or collector.

Ref. 17863



14mm CCW adapter

For mounting standard 14mm CCW accessories, such as barrel extension, flash hidings and other similar accessories. This adaptor replaces the 18mm flash hider and allows any Airsoft barrel attachment to be screwed on the 14mm CCW threading.

Ref. 17950



Sling mount

Replacement part should the original be lost or for having a mount on both sides of the Airsoft gun. This small metal part sits wedged between the front end and the receiver and provides a forward attachment point for a 2 point sling. Can be attached on either the left or right side of the EVO 3 A1.

Ref. 17976



CZ magazine clip

This is an original accessory supplied to ASG from CZ. These clips are used to hold 2 magazines together, for a fast reload – an essential accessory in high-speed skirmishes.

Ref. 17850



CZ magazine pouch

This is an original accessory supplied to ASG from CZ. This double magazine pouch is made from durable corduroy nylon, and holds two magazines, each in separate compartments for fast access. It is securely fastened with a quick release plastic buckle. It attaches to any belt, MOLLE or PALS system.

Ref. 17851



Magazine 3-pack

EVO 3 A1. 75 rd. capacity. Made from polycarbonate, it is very durable and has the exact dimensions and material choice as the original CZ magazines – an ideal fit for original CZ magazine clips.

Ref. 17844



CZ sling

This original single point sling is made especially for the EVO 3 A1, and is supplied directly from CZ. It features an adjustable plastic buckle and a bungee cord protected by a corduroy cover. The sling is attached to the gun with paracord to avoid rattling.

Ref. 17638



ActionSportGames A/S
Bakkegaardsvej 304
DK - 3050 Humlebaek
www.actionsportgames.com

ActionSportGames® USA, Inc.
6144 Condor Drive
USA - Moorpark, CA 93021



18002_0066_june2014